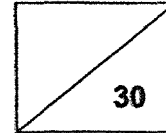




Maha Bodhi School
2021 Weighted Assessment 1
Mathematics Review 1
Primary 5



Name: _____ ()

Class: Primary 5 _____

Duration: 40 minutes

Date: 11 May 2021

Parent's Signature: _____

Note: The use of calculators is NOT allowed.

Questions 1 to 6 carry 1 mark each. Questions 7 to 10 carry 2 marks each.
For each question, four options are given. One of them is the correct answer.
Make your choice (1, 2, 3 or 4) and write your choice in the bracket () provided.
(14 marks)

1. Which of the following numbers is a factor of both 48 and 54?

- (1) 9
- (2) 8
- (3) 3
- (4) 4

()

2. What is the value of $84 - (18 \times 2) \div 6 + 3$?

- (1) 11
- (2) 75
- (3) 80
- (4) 81

()

3. Which of the following fractions is closest to 1?

(1) $\frac{3}{4}$

(2) $\frac{4}{3}$

(3) $\frac{5}{6}$

(4) $\frac{6}{5}$

()

4. Express 30 l 35 ml in ml.

(1) 30 350 ml

(2) 30 035 ml

(3) 3 350 ml

(4) 3 035 ml

()

5. $24 : 42 = \square : 56$

What is the missing number in the box?

(1) 38

(2) 32

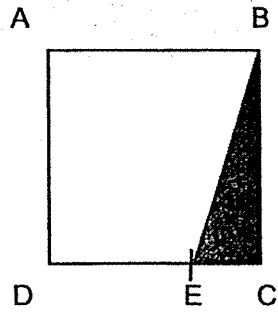
(3) 7

(4) 4

()

6. ABCD is a square of side 12 cm.

EC is $\frac{1}{3}$ the length of DC. Find the area of triangle BCE.



- (1) 24 cm²
- (2) 48 cm²
- (3) 72 cm²
- (4) 144 cm²

()

7. What is the sum of the first two common multiples of 4 and 6?

- (1) 24
- (2) 36
- (3) 48
- (4) 60

()

/ 3

8. Grace bought a 2 m long ribbon. $\frac{2}{5}$ m of the ribbon was used to tie a present and $\frac{3}{10}$ m of the ribbon was used to make a necklace.

How much of the ribbon was left?

(1) $\frac{3}{5}$ m

(2) $\frac{7}{10}$ m

(3) $1\frac{2}{5}$ m

(4) $1\frac{3}{10}$ m

()

9. Michael sorted $7\frac{2}{3}$ kg of recyclable materials in the morning.

He sorted $3\frac{1}{6}$ kg less recyclable materials in the afternoon.

How much recyclable materials did he sort altogether?

(1) $4\frac{1}{2}$ kg

(2) $10\frac{5}{6}$ kg

(3) $10\frac{1}{3}$ kg

(4) $12\frac{1}{6}$ kg

()

10. Mr Tang gave monthly allowance to his elder daughter and younger son in the ratio 5 : 3. His daughter received \$50 more than his son.

How much allowance did Mr Tang give to his children altogether each month?

(1) \$75

(2) \$80

(3) \$200

(4) \$400

()

Questions 11 to 14 carry 1 mark each. Write your answers in the spaces provided.

For questions which require units, give your answers in the units stated. (4 marks)

11. $16 \times 300 = \square \times 600.$

What is the missing number in the box?

Ans: _____

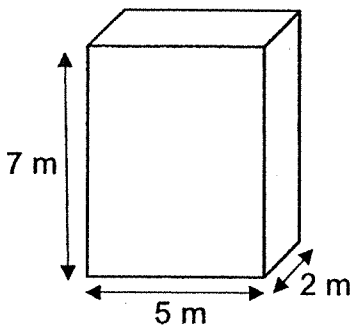
12. Find the product of $\frac{7}{9}$ and $\frac{3}{4}$.

Leave your answer in its simplest form.

Ans: _____

13. A cuboid is 5 m long, 2 m wide and 7 m high.

What is the volume of the cuboid?



Ans: _____ m³

14. Mrs Low baked 34 muffins. 22 of them were chocolate muffins and the rest were banana muffins. What is the ratio of the number of chocolate muffins to the number of banana muffins?

Leave your answer in its simplest form.

Ans: _____

Questions 15 to 20 carry 2 marks each. Show your working clearly in the space below each question and write your answers in the spaces provided. For questions which require units, give your answers in the units stated. (12 marks)

15. Melody mixed water and syrup in the ratio 7 : 2 to make a drink. She used 98 ml of water. How many millilitres of drink did she make?

Ans: _____ ml

16. Mr Tan is at a bookshop. He wants to buy pens that cost \$2 each. For every 3 pens bought, he gets 1 pen free. Mr Tan would like to buy a pen for each of his 41 pupils. What is the least amount of money Mr Tan has to pay for all the pens?

Ans: \$ _____

17. Raju paid \$180 for a calculator, an e-dictionary and 10 files.
The 10 files cost half as much as the calculator.
The e-dictionary costs 3 times as much as the 10 files.
How much did each file cost?

Ans: \$ _____

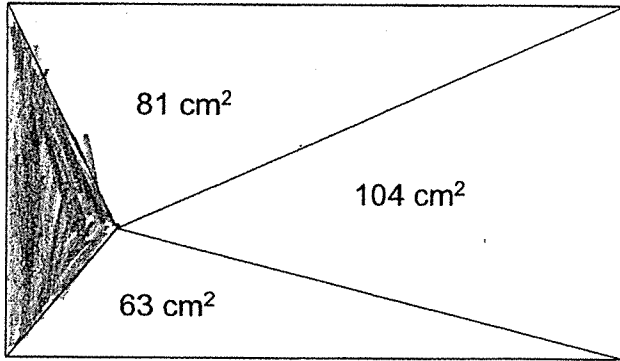
18. Anna had some \$2 and \$5 notes in the ratio of 3 : 1.
The total value of the notes is \$99.
How many pieces of \$5 notes did Anna have?

Ans: _____

19. Alan had some cards at first. He gave $\frac{1}{2}$ of them to Ben and $\frac{1}{8}$ of the remainder to Colin. He then bought another 153 cards and had as many cards as he had at first. How many cards did he give Ben?

Ans: _____

20. The rectangle below is made up of four triangles.
The area of three of the triangles are shown.
What is the area of the shaded triangle?



Ans: _____ cm^2

12



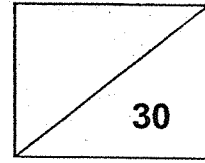
Remember to check your work!

~ End of Paper ~

This is the property of Maha Bodhi School.
No part of this should be duplicated without the permission of Maha Bodhi School.



Maha Bodhi School
2021 Weighted Assessment 2
Mathematics Review 2
Primary 5



Name: _____ ()

Class: Primary 5 _____

Duration: 50 minutes

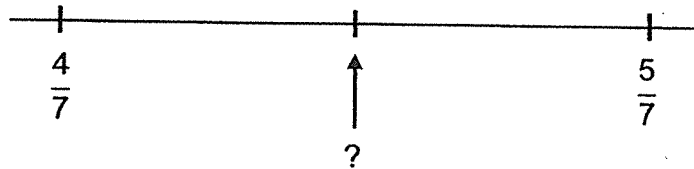
Date: 24 August 2021

Parent's Signature: _____

Note: The use of an approved calculator is expected, where appropriate.

Questions 1 to 3 carry 2 marks each. Show your working clearly in the space provided for each question and write your answers in the spaces provided. For questions which require units, give your answers in the units stated. (6 marks)

1. What is the fraction that is exactly halfway between $\frac{4}{7}$ and $\frac{5}{7}$?



Ans: _____

2. (a) Write 2.04 kg in grams.
(b) Write 3008 ml in litres.

Ans: (a) _____ g

(b) _____ l

3. Shannon had \$250 more than Nadiah at first.
Shannon then gave \$314 to Nadiah.
How much more money did Nadiah have than Shannon in the end?

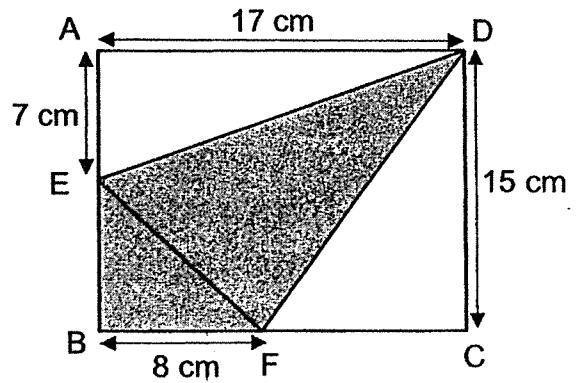
Ans: \$ _____

For questions 4 to 10, show your working clearly in the space provided for each question and write your answers in the spaces provided. The number of marks available is shown in brackets [] at the end of each question or part-question. (24 marks)

4. A shopkeeper bought 72 oranges.
 He threw away 7 rotten oranges and sold the rest at \$4.95 for 5.
 How much money did he collect in all?

Ans: _____ [3]

5. ABCD is a rectangle. AED and FCD are right-angled triangles.
 Find the shaded area.



Ans: _____ [3]

6. Simon collected 326 stickers in January.
He collected 145 fewer stickers in February than in January.
Then he packed all his stickers into packets of 40.
How many more stickers would he need to add to the last packet so that it would also have 40 stickers?

Ans: _____ [4]

7. Mrs Lim had \$1690.

She used \$790 to buy a sofa and $\frac{3}{5}$ of the remainder to buy a washing machine.

She then gave what she had left equally to her 4 children.

How much did each child receive?

Ans: _____ [4]

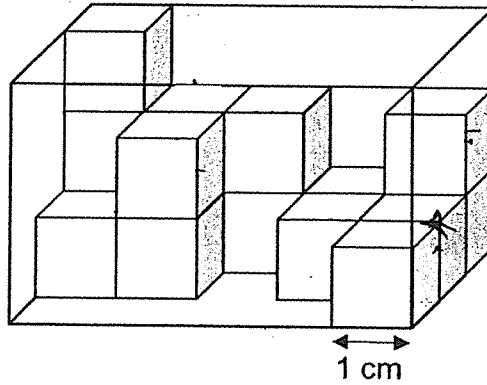
8. The total cost of 5 shirts and 6 blouses is \$210.55.
The total cost of 3 shirts and 2 blouses is \$91.45.
All the shirts are identical and all the blouses are identical.
Find the cost of 1 shirt.

Ans: _____ [3]

9. Ahmad and Brenda had 246 stamps altogether.
Ahmad gave some of his stamps to Brenda.
As a result, Brenda's stamps became 3 times her original number.
The two friends then had an equal number of stamps each.
How many stamps did Ahmad have at first?

Ans: _____ [4]

10. John fills a rectangular container with some cubes of sides 1 cm each.
- (a) What is the volume of the rectangular container?
 - (b) How many more cubes are needed to fill the container completely?



Ans: (a) _____ [1]

(b) _____ [2]

/3



Remember to check your work!

~ End of Paper ~

ANSWER KEY

YEAR : 2021
LEVEL : PRIMARY 5
SCHOOL : MAHA BODHI SCHOOL
SUBJECT : MATHEMATICS
TERM : REVIEW 1 AND 2

REVIEW 1

Q1	3	Q2	4	Q3	3	Q4	2	Q5	2
Q6	1	Q7	2	Q8	4	Q9	4	Q10	3

Q11	8
Q12	$\frac{7}{9} \times \frac{3}{4} = \frac{21}{36}$ $= \frac{7}{12}$
Q13	$7 \times 5 \times 2 = 70$
Q14	11:6
Q15	7U98 $1U \rightarrow 98 \div 7 = 14$ $9U \rightarrow 14 \times 9 = 126$
Q16	$3+1=4$ $3 \times 2=6$ $41 \div 4 = 10R1$ $6 \times 10 = 60$ $60 + 2 = \$62$
Q17	$30 \div 10 = \$3$
Q18	$(3 \times \$2) + \$5 = \$11$ (1 SET) $99 \div 11 = 9$ $9 \times 1 = 9$
Q19	$8+1=9$ $153 \div 9 = 17$ $17 \times 8 = 136$
Q20	Area of A+B=Area= of C+D $81+63=144$ $144-104=40$

REVIEW 2

Q1	$\frac{9}{14}$ $\frac{4}{7} = \frac{8}{14}$ $\frac{5}{7} = \frac{10}{14}$
Q2	a) 2040g b) 3.008
Q3	$\$314 - \$250 = \$64$ $\$314 + 64 = \378

Q4	$72-7=65$ $65\div5=13$ $13\times4.95=64.35$ He collected \$64.35
Q5	$17\times15=255$ $\frac{1}{2}\times7\times17=59.5$ $\frac{1}{2}\times9\times15=67.5$ $255 - 59.5 - 67.5 = 128$ The shaded area is 128cm^2
Q6	$326-145=181$ $326+181=507$ $507\div40=12\text{R}27$ $40-27=13$ He need to add 13 stickers to the last packet.
Q7	$1690-790=900$ $900\div5=180$ $180\times3=540$ $900-540=360$ $360\div4=90$ Each child received \$90
Q8	5 shirt+6 blouses \rightarrow \$210.55 3 shirts+2 blouses \rightarrow $\$91.45\times3=\274.35 4 shirts \rightarrow $\$274.35-\210.55 $=\$63.80\div4$ $=\$15.95$
Q9	$246\div2=123$ $123\div3=41$ (Brenda) $246-41=205$ (Ahmad) Ahmad had 205 stamps at first
Q10	$5\times3\times3=45$ $45-16=29$ The volume of the rectangular container is 45cm^3 29 more cubes are needed a) 45cm^3 b) 29