

HENRY PARK PRIMARY SCHOOL  
2021 WEIGHTED ASSESSMENT 1  
MATHEMATICS  
PRIMARY 5

(Booklet A)

Name: \_\_\_\_\_ (     )

Parent's Signature

Class: Primary 5 \_\_\_\_\_

\_\_\_\_\_

Marks:

Booklet A	12
Booklet B	18
<b>Total</b>	<b>30</b>

Total Time: 40 min

Do not turn over this page until you are told to do so.

Follow all instructions carefully.

Answer all questions.

Shade your answers in the Optical Answer Sheet (OAS) provided.

You are **not** allowed to use a calculator.

Questions 1 to 6 carry 1 mark each. Questions 7 to 9 carry 2 marks each.  
For each question, four options are given. One of them is the correct answer.  
Make your choice (1, 2, 3 or 4) and shade your answer in the Optical Answer Sheet.

(12 marks)

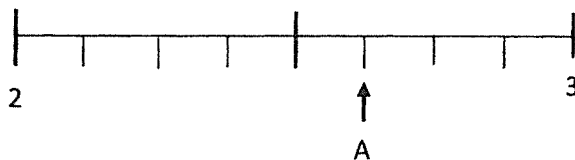
1 What is the value of the digit 8 in the number 282 405?

- (1) 80
- (2) 800
- (3) 8000
- (4) 80 000

2 Which of the following is not a factor of 36?

- (1) 6
- (2) 9
- (3) 16
- (4) 18

3 In the number line, what is the mixed number represented by A?



- (1)  $2\frac{1}{4}$
- (2)  $2\frac{3}{4}$
- (3)  $2\frac{5}{7}$
- (4)  $2\frac{5}{8}$

4 Which one of the following fractions is the biggest?

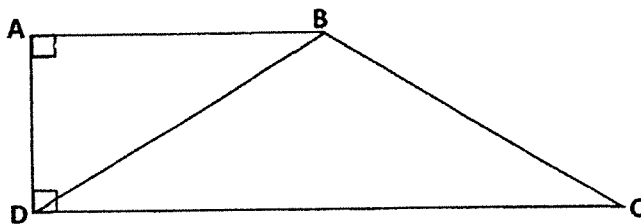
(1)  $\frac{3}{11}$

(2)  $\frac{3}{8}$

(3)  $\frac{3}{7}$

(4)  $\frac{3}{5}$

5 The figure below is made up of two triangles, ABD and BCD. Given that the height of triangle BCD is AD, find its base.



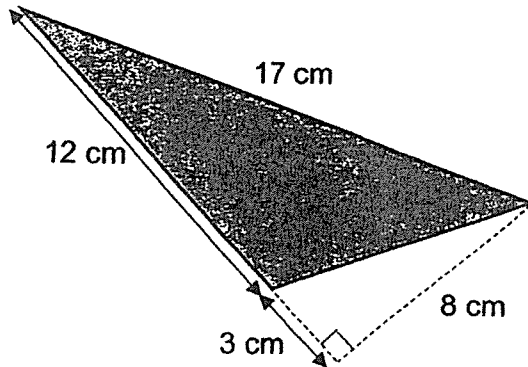
(1) AB

(2) BC

(3) BD

(4) DC

6 Find the area of the shaded triangle.



- (1)  $48 \text{ cm}^2$
- (2)  $60 \text{ cm}^2$
- (3)  $68 \text{ cm}^2$
- (4)  $102 \text{ cm}^2$

7 What is the missing number in the box?

$$5 : 15 = \boxed{?} : 12$$

- (1) 9
- (2) 2
- (3) 3
- (4) 4

- 8 Percy spent  $\frac{3}{5}$  of his money on a shirt and  $\frac{1}{4}$  of the remainder on a belt. What fraction of his money had he left?

(1)  $\frac{3}{10}$

(2)  $\frac{3}{20}$

(3)  $\frac{7}{10}$

(4)  $\frac{9}{20}$

- 9 A repeated pattern is formed using the numbers 2 and 0. The first 15 numbers are shown below.

2	0	2	2	0	2	0	2	2	0	2	0	2	2	0	...
---	---	---	---	---	---	---	---	---	---	---	---	---	---	---	-----

1<sup>st</sup> 2<sup>nd</sup> 3<sup>rd</sup>

15<sup>th</sup>

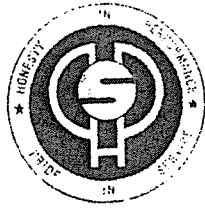
What is the sum of the first 98 numbers?

(1) 114

(2) 117

(3) 118

(4) 122

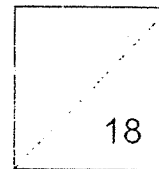


HENRY PARK PRIMARY SCHOOL  
2021 WEIGHTED ASSESSMENT 1  
MATHEMATICS  
PRIMARY 5

(BOOKLET B)

Name: \_\_\_\_\_ ( )

Class: Primary 5 \_\_\_\_\_



Total Time for Booklets A and B: 40 min

Do not turn over this page until you are told to do so.

Follow all instructions carefully.

Answer all questions.

Write your answers in this booklet.

You are **not** allowed to use a calculator.

Questions 10 to 13 carry 1 mark each. Write your answers in the spaces provided.  
For questions which require units, give your answers in the units stated.

(4 marks)

Do not write  
in this space

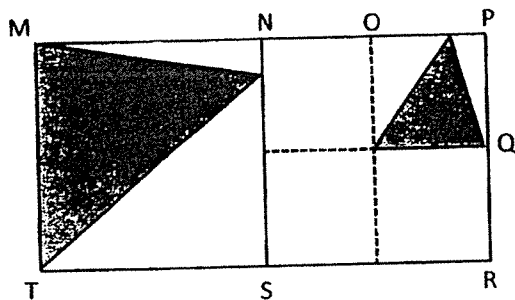
10 Find the value of  $(18 - 12) \times 5 + 36 \div 2$

Ans: \_\_\_\_\_

11 Find the value of  $\frac{3}{8} \times \frac{4}{9}$

Ans: \_\_\_\_\_

12 Rectangle MPRT is made up of 2 identical squares MNST and NPRS.  
Given that  $NO = OP = PQ$ , what fraction of rectangle MPRT is shaded?



Ans: \_\_\_\_\_

- 13 Lily and Bala shared 42 sweets in the ratio of 2 : 5. How many sweets will Bala get?

Ans: \_\_\_\_\_



Questions 14 to 20 carry 2 marks each. Show your working clearly and write your answers in the spaces provided. For questions which require units, give your answers in the units stated.

(14 marks)

- 14 Use all the digits 6, 2, 5, 9 to form  
 (a) the smallest multiple of 7  
 (b) the number closest to 9000

Do not write in this space

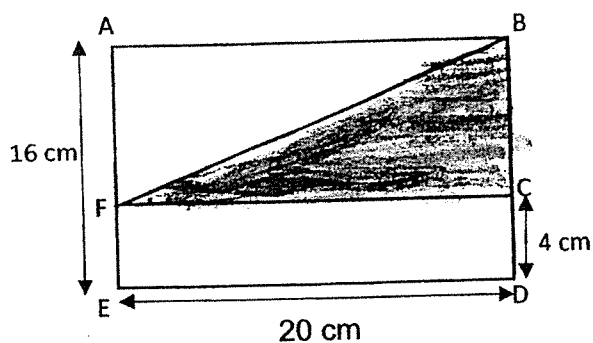
Ans: (a) \_\_\_\_\_

(b) \_\_\_\_\_

- 15 There were 96 students in the school hall.  $\frac{2}{3}$  of the students were girls.  $\frac{1}{4}$  of the girls wore glasses. How many girls wore glasses?

Ans: \_\_\_\_\_

- 16 The figure below shows a rectangle, ABDE. FC is parallel to ED. Find the area of the shaded triangle BCF in figure below.



Ans: \_\_\_\_\_ cm<sup>2</sup>

- 17  $\frac{1}{5}$  of the buttons in a bag are pink. The remaining buttons were blue *and* yellow in the ratio of 3 : 5. Find the ratio of the number of pink buttons to the number of yellow buttons.

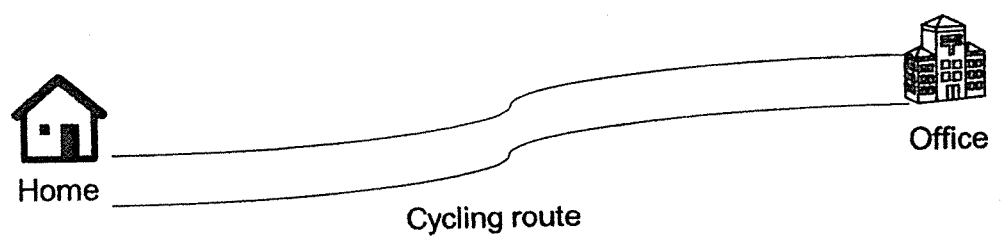
Ans: \_\_\_\_\_

- 18 Vicky earned \$5 for every box of tarts she sold. She earned a bonus of \$10 for every 12 boxes of tarts sold. Given that Vicky earned a total of \$205, how many boxes of tarts did Vicky sell?

Ans: \_\_\_\_\_

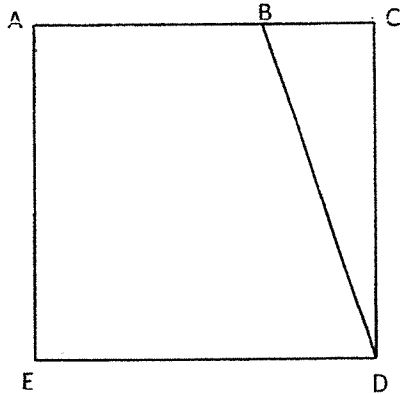
19

Mr Lee cycles to work from his home to his office and then cycles back home from his office after work. He uses the same route to and fro. Given that the distance between his home and his office is  $\frac{4}{5}$  km, find the total distance Mr Lee cycles to and from work from Monday to Friday for a week.



Ans: \_\_\_\_\_ km

- 20 ACDE is a square. The length AB is twice the length of BC.



Each statement below is either true, false or not possible to tell from the information given above. For each statement, please put a tick (✓) in the correct column.

Statement	True	False	Not possible to tell
Given that the height of triangle BCD is BC, the ratio of the height of triangle BCD to the base of triangle BCD is 1:3.			
When AB = 12 cm, the area of triangle BCD will be 54 cm <sup>2</sup> .			
Triangle BCD is $\frac{1}{3}$ the area of square ACDE.			



End of Paper

## ANSWER KEY

**YEAR** : 2021  
**LEVEL** : Primary 5  
**SCHOOL** : Henry Park Primary School  
**SUBJECT** : MATHEMATICS  
**TERM** : Weighted Assessment 1

### BOOKLET A

Q1	4	Q2	3	Q3	4	Q4	4	Q5	4
Q6	1	Q7	4	Q8	1	Q9	3		

### BOOKLET B

Q10	48	Q11	$\frac{3}{8} \times \frac{4}{9} = \frac{1}{6}$
Q12	$\frac{5}{16}$	Q13	$42 \div 7 = 6$ $6 \times 5 = 30$
Q14	(a) 2569 (b) 9256	Q15	$96 \div 3 = 32$ $32 \times 2 = 64$ $64 \div 4 = 16$
Q16	$16 - 4 = 12$ $\frac{1}{2} \times 12 \times 20 = 120$	Q17	$8 \div 4 = 2$ Ans : 2:5
Q18	$(12 \times 5) + 10 = 70$ $215 \div 70 = 3R5$ $3 \times 12 = 36$ $36 + 1 = 37$	Q19	$\frac{4}{5} km = 0.8km$ $5 \times 2 = 10$ $0.8 \times 10 = 8km$
Q20	True True False		