

**Paper 1**  
**Booklet A**

Ai Tong School  
P5 Mathematics  
Term 2 Practice 2

Name: \_\_\_\_\_ ( )  
Class: \_\_\_\_\_  
Date: \_\_\_\_\_

Questions 1 to 10 carry 1 mark each. Questions 11 to 15 carry 2 marks each.  
(20 marks)

---

1 Three million, three hundred and three thousand and thirty-three in numerals is \_\_\_\_\_

- (1) 3 003 333
- (2) 3 033 033
- (3) 3 300 333
- (4) 3 303 033

2 How many thousands make 8 000 000?

- (1) 80
- (2) 800
- (3) 8 000
- (4) 80 000

3 What is the missing number in the box?

$$250 \times 7000 = 250 \times \boxed{\phantom{000}} \times 70$$

- (1) 10
- (2) 100
- (3) 1000
- (4) 10 000

4 Find the value of  $76 - 4 + 52 \div 4$ .

- (1) 85
- (2) 62
- (3) 59
- (4) 31

5 Find the difference between 9 tenths and 15 hundredths.

- (1) 0.060
- (2) 0.075
- (3) 0.750
- (4) 0.885

6 Which of the following has the same value as  $12 \times \frac{3}{8}$ ?

- (1)  $\frac{12}{12} \times \frac{3}{8}$
- (2)  $\frac{3}{8} \times \frac{12}{1}$
- (3)  $\frac{3}{8} \times \frac{1}{12}$
- (4)  $\frac{8}{1} \times \frac{3}{12}$

7 Mrs Ho had  $\frac{5}{8}$  kg of flour. She used  $\frac{1}{3}$  kg to bake some muffins.  
How much flour had she left?

- (1)  $\frac{1}{24}$  kg
- (2)  $\frac{5}{24}$  kg
- (3)  $\frac{7}{24}$  kg
- (4)  $\frac{10}{24}$  kg

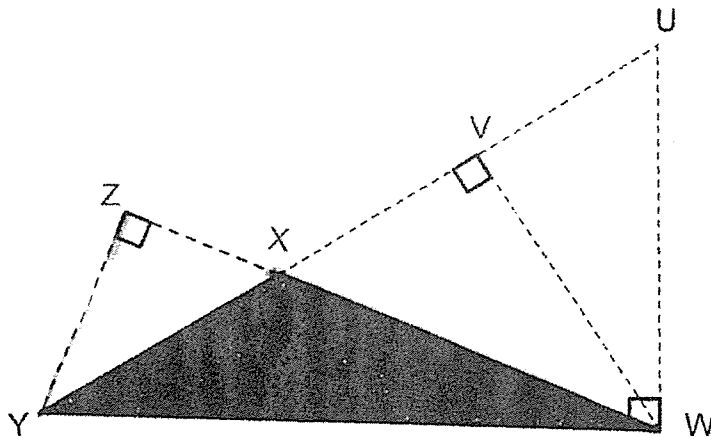
8 Look at the diagram below.

Find the ratio of the number of  $\diamond$  to the number of  $\nabla$  to the number of  $\bigcirc$ .

$\nabla$	$\diamond$	$\nabla$	$\diamond$	$\diamond$	$\bigcirc$
$\diamond$	$\nabla$	$\diamond$	$\bigcirc$	$\nabla$	$\nabla$
$\bigcirc$	$\bigcirc$	$\diamond$	$\nabla$	$\diamond$	$\diamond$

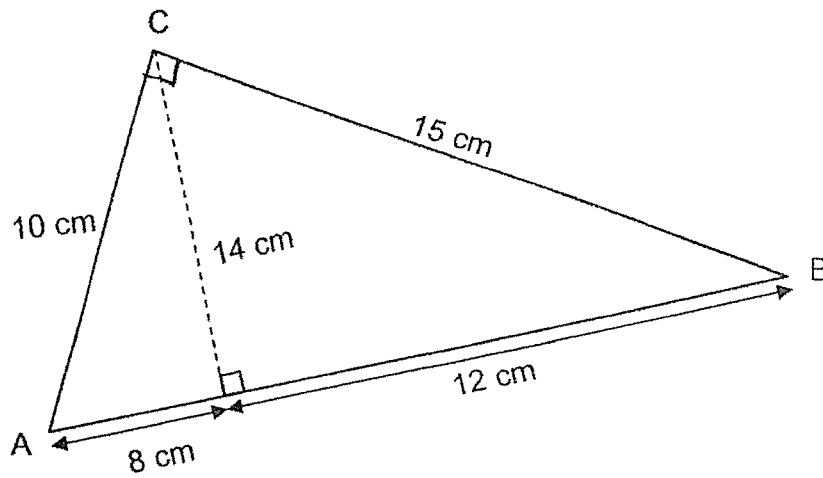
- (1) 2 : 3 : 4
- (2) 3 : 4 : 2
- (3) 4 : 2 : 3
- (4) 4 : 3 : 2

9 In the figure, WX is the base of the triangle WXY. Which line represents its height?



- (1) UW
- (2) VW
- (3) XY
- (4) YZ

10. What is the area of triangle ABC shown below?

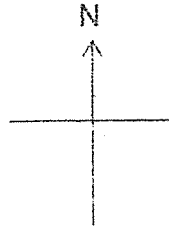


- (1) 150 cm<sup>2</sup>
- (2) 140 cm<sup>2</sup>
- (3) 130 cm<sup>2</sup>
- (4) 100 cm<sup>2</sup>

11. There were 2 adults for every 3 children at a book fair.  
There were 114 children at the book fair.  
How many people were there at the book fair altogether?

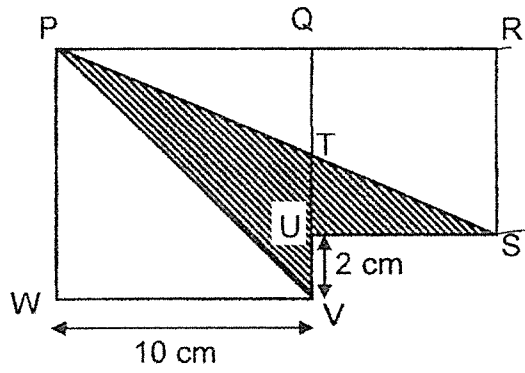
- (1) 76
- (2) 171
- (3) 190
- (4) 285

- 12 Da Hao was facing south-east. He made a  $\frac{1}{4}$ -turn clockwise. He then made a  $135^\circ$  anti-clockwise turn. Which direction is he facing now?



- (1) east  
(2) south  
(3) north-east  
(4) south-west
- 13 The ratio of Dhatch's height to Peter's height is 3 : 5. The ratio of Ameer's height to Peter's height is 3 : 4. What is the ratio of Dhatch's height to Peter's height to Ameer's height?
- (1) 12 : 20 : 15  
(2) 15 : 20 : 12  
(3) 3 : 5 : 4  
(4) 5 : 4 : 3
- 14 A green light bulb and a red light bulb are switched on at the same time. The green light bulb blinks every 3 seconds and the red light bulb blinks every 6 seconds. When is the second time that the green and red light bulbs blink together?
- (1) 18<sup>th</sup> second  
(2) 12<sup>th</sup> second  
(3) 3<sup>rd</sup> second  
(4) 6<sup>th</sup> second

- 15 The figure below is made up of 2 squares PQWV and QRSU.  
 The length of WV is 10 cm. Find the total area of the **unshaded** parts.



- (1) 42 cm<sup>2</sup>
- (2) 50 cm<sup>2</sup>
- (3) 72 cm<sup>2</sup>
- (4) 122 cm<sup>2</sup>

**Booklet B**

Questions 16 to 20 carry 1 mark each. Write your answers in the spaces provided.  
For questions which require units, give your answers in the units stated. (5 marks)

---

16 What is the value of the digit 8 in 4 809 030?

Ans: \_\_\_\_\_

---

17 What is 10 more than 99 999?

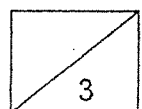
Ans: \_\_\_\_\_

---

18 A tank contains 9200 ml of water.  
The water is poured equally into 80 identical glasses.  
What is the capacity of each glass?

Ans: \_\_\_\_\_ ml

---



19 What is the value of  $17 + (12 - 10 \div 2) \times 4$ ?

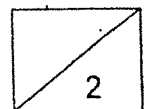
Ans: \_\_\_\_\_

---

20 Express  $\frac{3}{8}$  as a decimal.

Ans: \_\_\_\_\_

---





Questions 21 to 30 carry 2 marks each. Show your working clearly in the space provided for each question and write your answers in the spaces provided.  
For questions which require units, give your answers in the units stated. (20 marks)

---

- 21 The ratio of the number of Ali's marbles to the number of Billy's marbles to the number of Conan's marbles is 2 : 4 : 3. Conan has 86 marbles more than Ali.  
How many marbles do the 3 boys have in all?

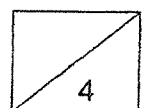
Ans: \_\_\_\_\_

---

- 22 Emily had  $\frac{11}{12}$  l of oil. She used  $\frac{1}{2}$  of it on Monday.  
How much oil was left? Give your answer in the simplest form.

Ans: \_\_\_\_\_ l

---

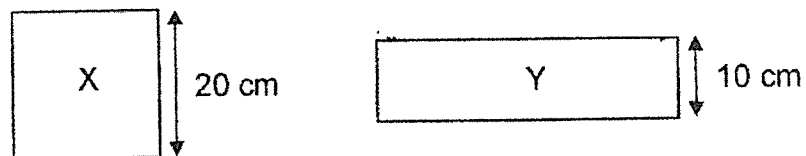


- 23 Nina bought 4 storybooks and 3 magazines for \$43. Each magazine was \$2 cheaper than each storybook. What was the cost of each magazine?

Ans: \$ \_\_\_\_\_

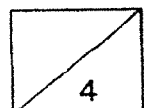
---

- 24 Square X and Rectangle Y have the same area. Find the perimeter of Rectangle Y.



Ans: \_\_\_\_\_ cm

---



- 25 There are 72 people at a restaurant. 32 of them are females.  
What fraction of the people at the restaurant are males?  
Give your answer as a fraction in the simplest form.

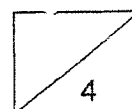
Ans: \_\_\_\_\_

---

- 26 There are 8 classes out on a learning journey.  
There are 28 pupils in each class.  
One teacher is required to be in charge of a maximum of 20 pupils.  
What is the least number of teachers needed for this learning journey?

Ans: \_\_\_\_\_

---

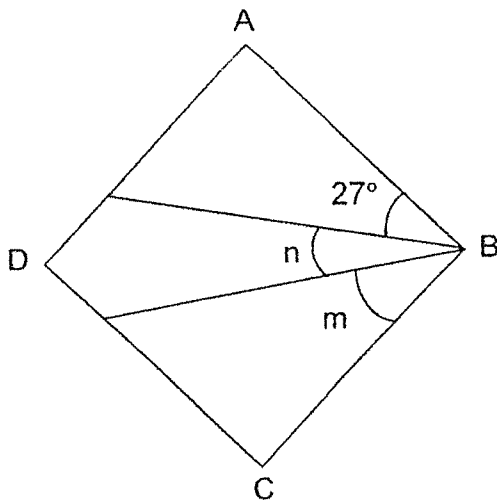


- 27 This year, Jun Jie is 11 years old and Yong Lin is 26 years old.  
 What is the ratio of Jun Jie's age to Yong Lin's age in 7 years' time?  
 Give your answer in the simplest form.

Ans: \_\_\_\_\_

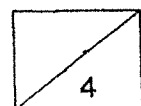
---

- 28 In the figure below, ABCD is a square.  $\angle m$  is twice the size of  $\angle n$ . Find  $\angle n$ .

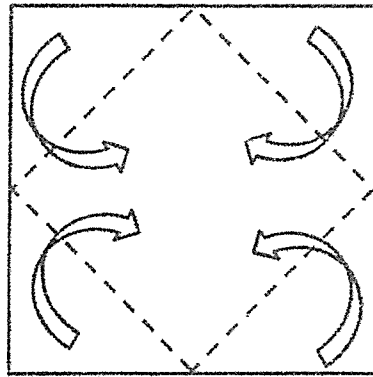


Ans: \_\_\_\_\_

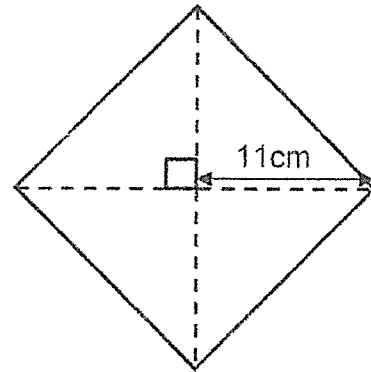
---



- 29 The four corners of a square piece of paper were folded inwards to form a smaller square. What was the area of the paper before it was folded?



before folding



after folding

Ans: \_\_\_\_\_  $\text{cm}^2$

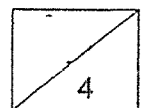
---

- 30 Amirah and Belle made 70 origami flowers in the ratio of 4 : 3.  
Later, Belle made another 5 origami flowers.  
How many origami flowers did Belle make in all?

Ans: \_\_\_\_\_

---

End of Paper 1



## ANSWER KEY

YEAR : 2021  
 LEVEL : PRIMARY 5  
 SCHOOL : AI TONG SCHOOL  
 SUBJECT : MATHEMATICS  
 TERM : TERM 2 PRACTICE 2

### BOOKLET A

Q1	4	Q2	3	Q3	2	Q4	1	Q5	3
Q6	2	Q7	3	Q8	4	Q9	4	Q10	2
Q11	3	Q12	1	Q13	1	Q14	2	Q15	4

### BOOKLET B

Q16	800000
Q17	100009
Q18	115ml
Q19	45
Q20	$0.375$ $\frac{3}{8} \times \frac{125}{100} = \frac{375}{1000} = 0.375$
Q21	$3-2=1$ $1u=86$ $3u=86 \times 3=258$ $4u=258+86=344$ $344 \div 2=172$ $258+344=602$ $602+172=774$
Q22	$\frac{1}{2} \times \frac{11}{12} = \frac{11}{24}$
Q23	$2 \times 4=8$ $43-8=35$ $35 \div 7=5$
Q24	$40 \times 2=80$ $10 \times 2=20$ $80+20=100\text{cm}$
Q25	$\frac{32}{72}$ =female $72-32=40$ $\frac{40}{72}$ =male $=\frac{5}{9}$
Q26	$224 \div 20=11R4$ $11+1=12$
Q27	6:11

Q28	$90-27=63$ $63\div 3=21^\circ$
Q29	$11\times 2=22$ $22\times 22=484\text{cm}^2$
Q30	$7u=70$ $1u=70\div 7=10$ $3u=3\times 10=30$ $30+5=35$

4  
END