



## 2020 PRIMARY 4 WEIGHTED ASSESSMENT

Name: \_\_\_\_\_ ( ) Date: 3 July 2020

Class: Primary 4 ( ) Duration : 45 minutes

Parent's Signature: \_\_\_\_\_ Marks: \_\_\_\_\_ / **25**

# MATHEMATICS

### INSTRUCTIONS TO CANDIDATES

1. Write your name, class and register number.
2. Do not turn over this page until you are told to do so.
3. Follow all instructions carefully.
4. Show your working clearly.
5. Answer all questions.

**Section A** [10 marks]

**Short Answer Questions**

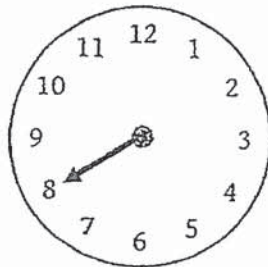
Questions 1 to 10 carry 1 mark each. Write your answers in the boxes provided.  
For questions which require units, give your answers in the units stated.

- 
1. How many ninths are there in  $5\frac{4}{9}$ ?

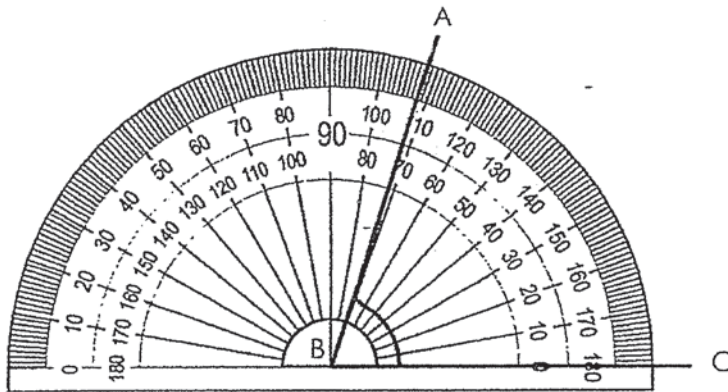
- 
2. Complete the number pattern below.

3024 , 3074 , 3124 , \_\_\_\_\_ , 3224

- 
3. The minute hand was pointing at 8 at first. Sally moves the minute hand  $90^\circ$  clockwise. Where is the minute hand pointing at now?



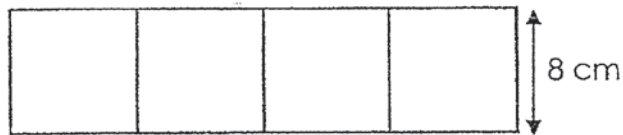
4. Find  $\angle ABC$ .



---

°
---

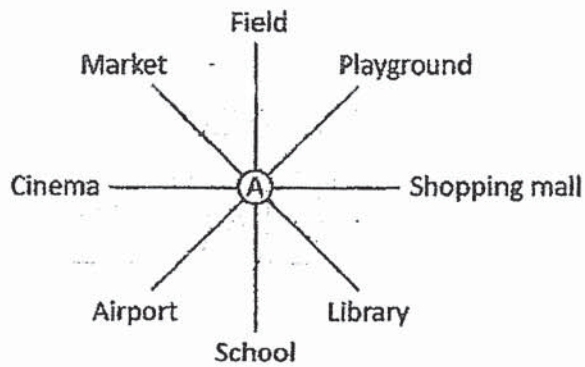
5. The figure is made up of 4 identical squares. Find the length of the figure.



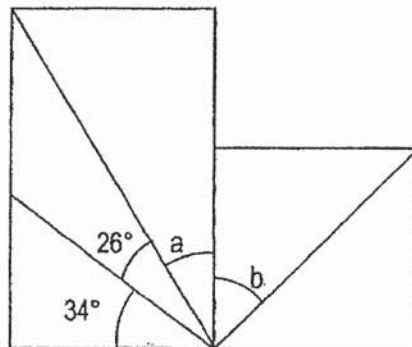
---

cm
----

6. Adrian is standing at Point A and facing the library.  
He makes a  $\frac{3}{4}$  turn anti-clockwise. Where is Adrian facing now?




7. The figure is made up of a rectangle and a square.  
Find the sum of  $\angle a$  and  $\angle b$ .




8. Find the difference between the eighth multiple of 7  
and the third multiple of 6.

9. Draw one line of symmetry for the following figure.



10. The sum of Rohan's age this year and next year is 29.  
How old is Rohan now?

years old
-----------



**Section B** [15 marks]

Questions 11 to 15 carry 3 marks each.

Show your working clearly and write your answers in the spaces provided.

---

11. A shawl cost \$63. A dress cost twice as much as a shawl.  
Mrs Tan bought 5 dresses and a shawl.

- (a) Find the cost of a dress.  
(b) How much did Mrs Tan pay for all the items?

(a) The cost of a dress is \_\_\_\_\_ .

(b) Mrs Tan paid \_\_\_\_\_ for all the items.

Ans: (a) \_\_\_\_\_

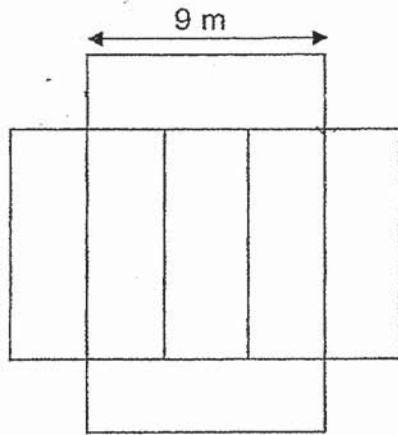
(b) \_\_\_\_\_

---

---

12. The figure below is made up of 7 identical rectangles.

- a) Find the area of one rectangle.
- b) Find the perimeter of the figure.



(a) The area of one rectangle is \_\_\_\_\_

(b) The perimeter of the figure is \_\_\_\_\_

Ans: (a) \_\_\_\_\_

(b) \_\_\_\_\_

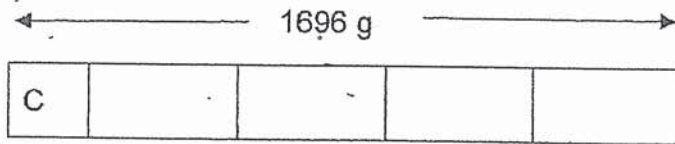
---

---

13. A container when completely filled with rice weighs 1696g.

When the container is  $\frac{1}{4}$  full, its mass is 496g.

What is the mass of the container when it is empty?



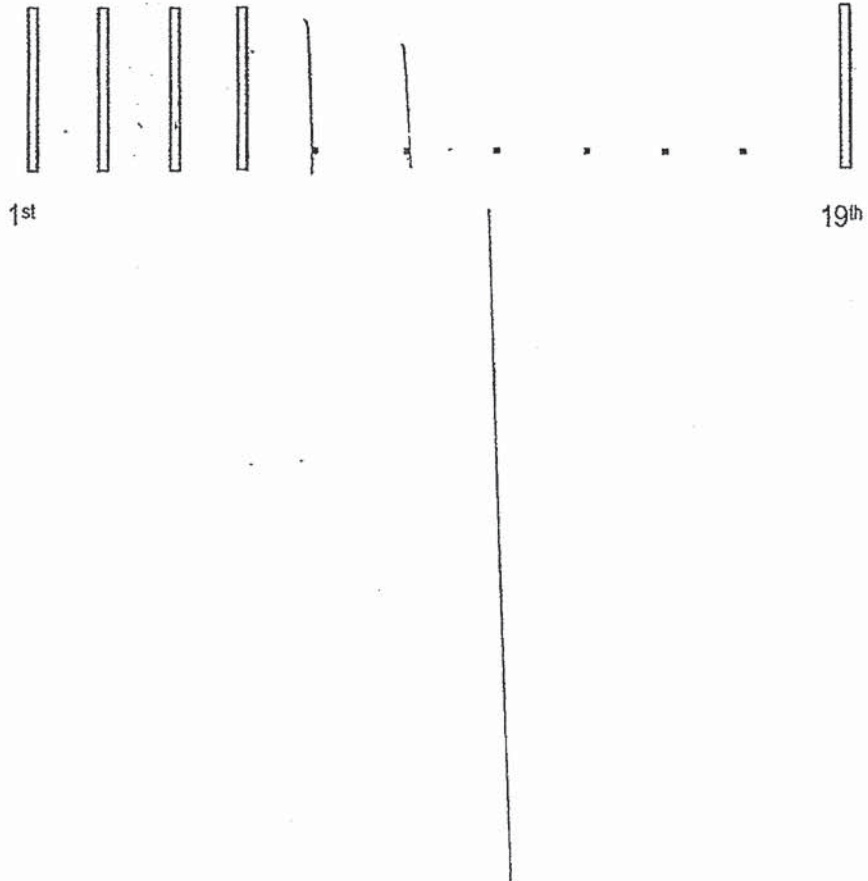
The mass of the container is \_\_\_\_\_ when it is empty.

Ans: \_\_\_\_\_

---



- 
14. 19 poles are planted along a field at equal distances.  
The distance between the 1<sup>st</sup> pole and the 5<sup>th</sup> pole is 36 m.  
What is the distance between the 5<sup>th</sup> pole and the 19<sup>th</sup> pole?



The distance between the 5<sup>th</sup> pole and the 19<sup>th</sup> pole is \_\_\_\_\_.

Ans: \_\_\_\_\_

- 
15. Henry gave some marbles to his friends.  
If each friend received 5 marbles, he would have 3 marbles left.  
If each friend received 6 marbles, he would be short of 2 marbles.  
How many marbles did Henry have at first?

Henry had \_\_\_\_\_ marbles at first.

Ans: \_\_\_\_\_

---

End of Paper

## ANSWER KEY

YEAR : 2020  
LEVEL : PRIMARY 4  
SCHOOL : TAO NAN  
SUBJECT : MATHEMATICS  
TERM : WEIGHTED ASSESSMENT (SA1)

### SECTION A

Q1. 49

Q2. 3174

Q3. 11

Q4.  $72^\circ$

Q5. 32cm

Q6. Airport

Q7.  $75^\circ$

Q8. 38

Q9.



Q10.  $29 - 1 = 28$

$$28 \div 2 = 14$$

### SECTION B

Q11. a)  $63 \times 2 = 126$

b)  $126 \times 5 = 630$

$$630 + 63 = 693$$

Q12 a) 27m<sup>2</sup>

b) 60m<sup>2</sup>

Q13.  $1696 - 496 = 1200$   
 $1200 \div 3 = 400$   
 $400 \times 4 = 1600$   
 $1696 - 1600 = 96g$

Q14.  $5 - 1 = 4$   
 $36 \div 4 = 9$   
 $19 - 5 = 14$   
 $14 \times 9 = 126m$

Q15.  $6 - 5 = 1$   
 $1 \text{ unit} = 3 + 2 = 5$   
 $5 \times 5 + 3 = 28$   
 $5 \times 6 - 2 = 28 \text{ marbles}$

2  
END.